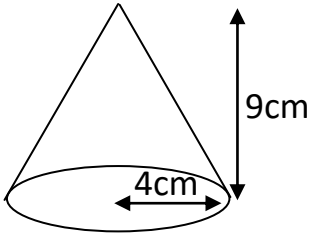


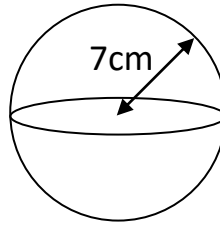
Surface Area & Volume Of Harder Shapes Homework

1) Find the surface area and the volume of the cone



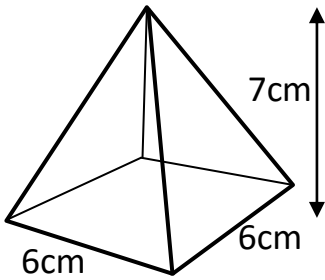
SA = _____ Volume = _____

2) Find the surface area and the volume of the sphere



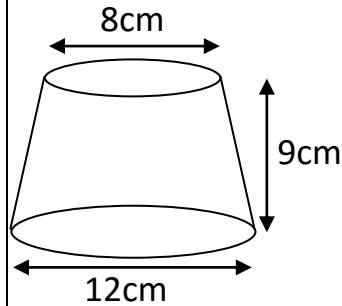
SA = _____ Volume = _____

3) Find the surface area and the volume of the pyramid:



SA = _____ Volume = _____

4) Find the volume of the frustum



Copyright © 2021: www.mathscloud.co.uk

Mark:

Grade:

I did well at:

To Improve I need to:

Try: