

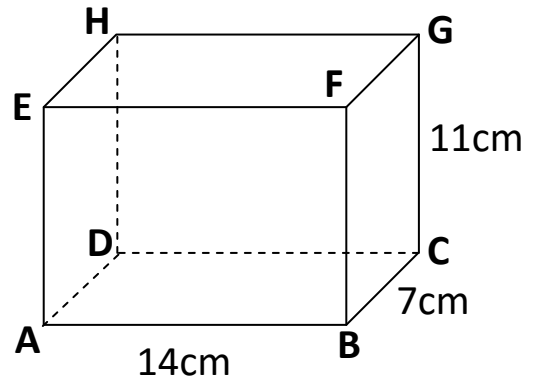
Pythagoras & Trigonometry In 3D Homework

1a) Find the length of BD

b) Find the length of the diagonal of the cuboid

c) Find the angle ADE

d) Find the angle DBH



Copyright © 2021: www.mathscloud.co.uk

Mark:

Grade:

I did well at:

To Improve I need to:

Try: