

Congruence

<p>1)</p>	<p>2)</p> <p style="text-align: right; color: red; font-weight: bold;">RED</p>
-----------	--

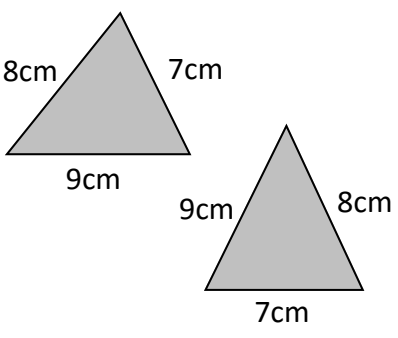
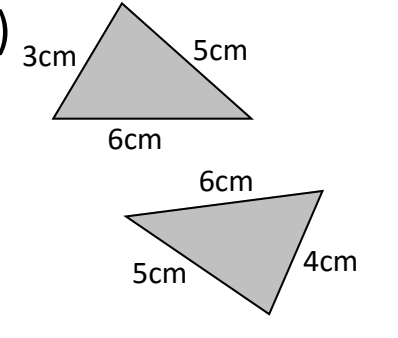
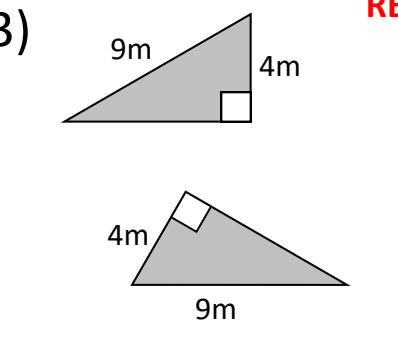
<p>1)</p>	<p>2)</p> <p style="text-align: right; color: orange; font-weight: bold;">ORANGE</p>
-----------	--

<p>1)</p>	<p>2)</p> <p style="text-align: right; color: green; font-weight: bold;">GREEN</p>
-----------	--

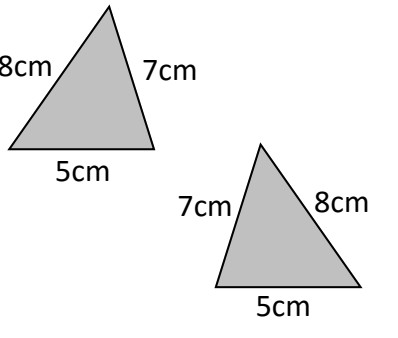
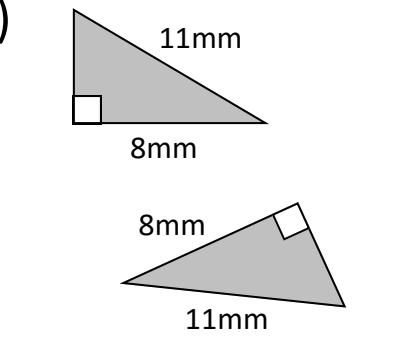
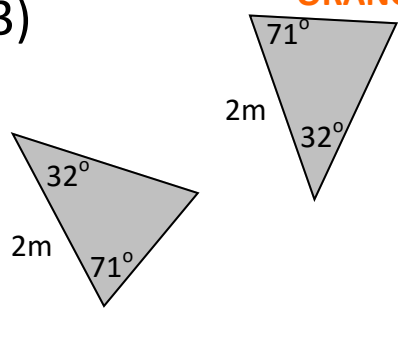
<p>1)</p>	<p>2)</p> <p style="text-align: right; color: blue; font-weight: bold;">EXTENSION</p>
-----------	---

Score:	Comment:
--------	----------

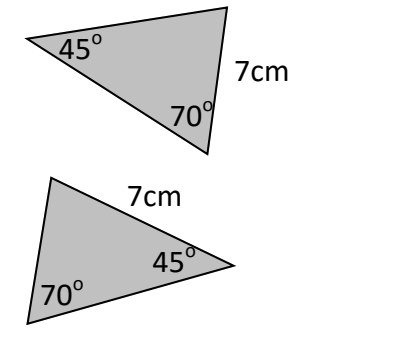
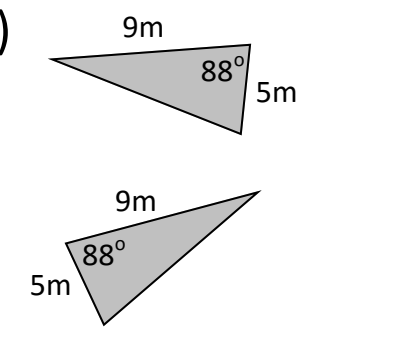
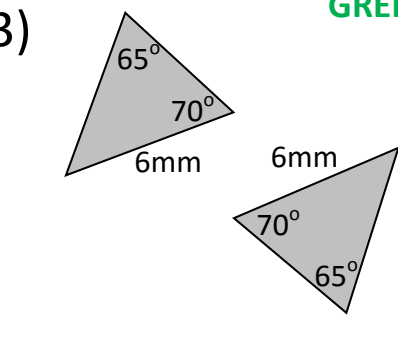
Congruent Triangles

<p>1)</p>  <p>Reason: _____</p>	<p>2)</p>  <p>Reason: _____</p>	<p>3)</p>  <p>Reason: _____</p>
--	---	--

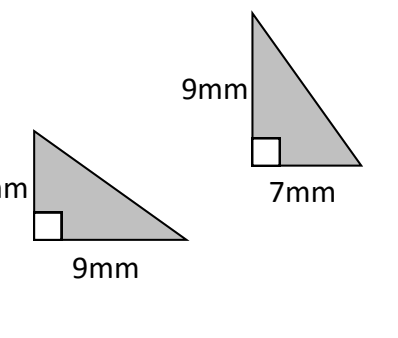
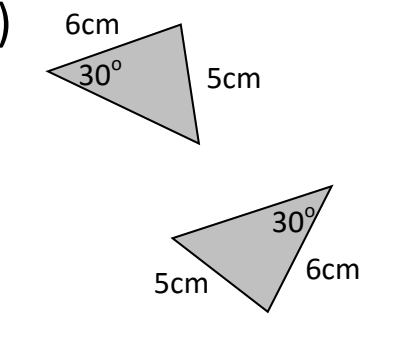
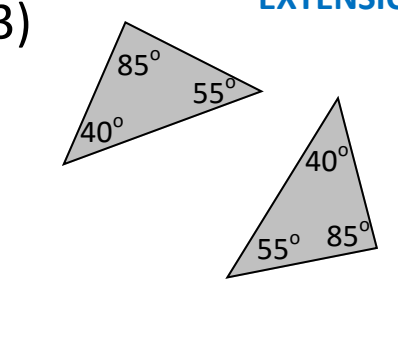
RED

<p>1)</p>  <p>Reason: _____</p>	<p>2)</p>  <p>Reason: _____</p>	<p>3)</p>  <p>Reason: _____</p>
---	--	---

ORANGE

<p>1)</p>  <p>Reason: _____</p>	<p>2)</p>  <p>Reason: _____</p>	<p>3)</p>  <p>Reason: _____</p>
--	---	--

GREEN

<p>1)</p>  <p>Reason: _____</p>	<p>2)</p>  <p>Reason: _____</p>	<p>3)</p>  <p>Reason: _____</p>
--	---	--

EXTENSION